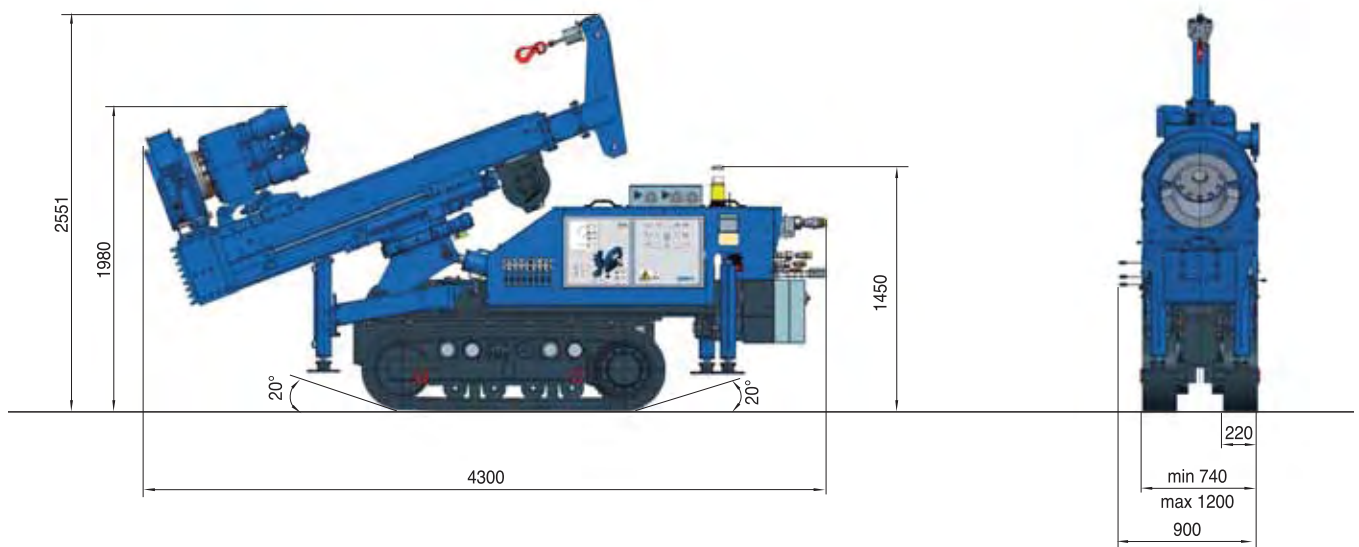
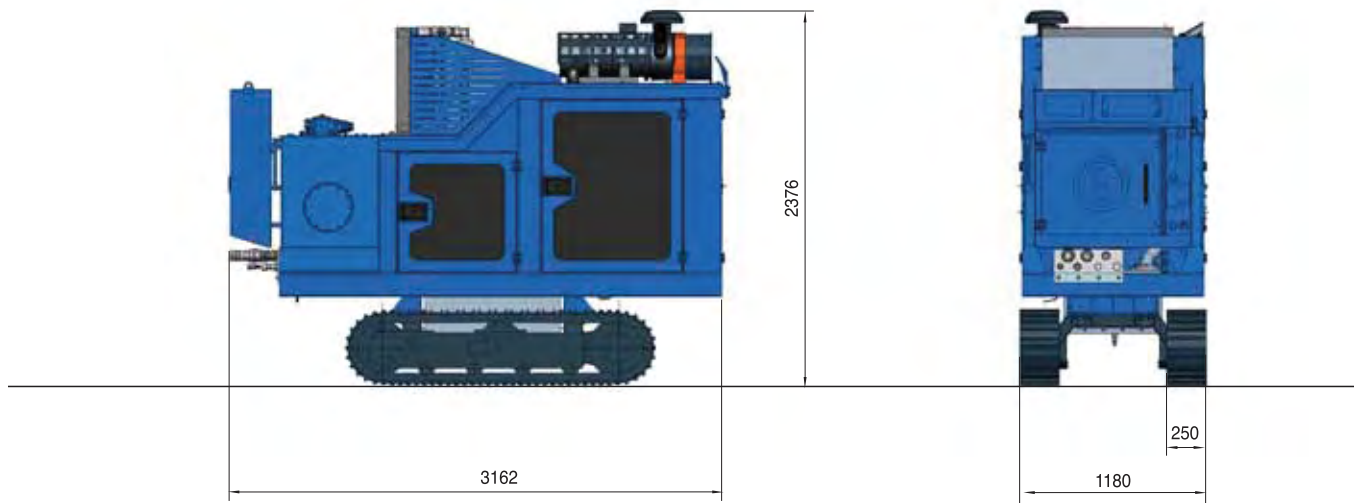


Base Machine	
Operating weight	6400 kg
Undercarriage	Variable gauge
- Track shoe width	220 mm
- Overall length	1952 mm
- Overall width (extended/Retracted)	1200 / 740 mm
- Traveling speed	3,33 km/h
- Ground stabilizers	2x rotatable on front 2x extendable on rear
Auger - Nominal size	300 - 450 mm
Casing - Nominal size	340 - 510 mm
Hoist & Feed system	
Feed type	Cylinder
Feed Stroke	1500 + 1000 mm
Maximum hoist pull/feed force	70/46 kN
Maximum Speed (fast/low operation)	21/7 m/min
Rotary head	
Gear box type	3 ratios
Maximum torque	3350 daNm
Maximum drilling speed	58 rpm
Inner passage	134 mm



Separated Power Pack

Operating weight	3700 kg
Undercarriage	Fixed gauge
- Track shoe width	250 mm
- Overall length	1971 mm
- Overall width	1180 mm

Transport Configuration

Length	4300 mm
Width	760 mm
Height	2000 mm
Weight	5800 mm